

# COHU

## 3960<sup>HD</sup> Helios

## HDTV/H.264 camera positioning system

HDTV resolution camera with 720p @ 30 frames/sec

Integrated motorized 18x optical zoom lens

Day/Night operation with exceptional low light sensitivity

Auto/Manual focus and Iris operations

Dual H.264 and MJPEG video compression CODECs

Dual independent video streams

Full function web server

Simultaneous IP and analog output control

Variable speed positioning system with 360° continuous pan, +90° to -90° tilt

Presets, tours, sector zones, camera ID, and position/direction labels

IP67/IP66 and Nema TS2 ratings for harsh environments

Single weatherproof connector for all signals

- Traffic Surveillance
- Border Protection
- Power Plants
- Water Departments/Reservoirs
- High-Value Asset Monitoring
- Process / Effluent Monitoring



**Cohu Innovation.** Cohu's engineering team have combined the advantages of HDTV image quality, bandwidth efficient H.264 compression, a responsive variable speed positioner and advanced environment protection standards into our latest product offering; The 3960<sup>HD</sup> series.

**Expanded Capabilities.** This fully integrated, IP-based HDTV/H.264 positioning system solves the traditional limitations of fixed position megapixel cameras, by allowing users the ability to optically zoom, maintaining image clarity throughout the zoom range, in lieu of digital zoom, which begins to dramatically reduce the image quality due to pixelization. In addition, operators can remotely adjust the azimuth position of the camera system 360° continuously as well as the elevation 180°, dramatically improving the overall viewing characteristics of the camera site.

**HDTV Clarity.** The 3960<sup>HD</sup> incorporates a day/night HDTV quality 720p/30fps camera with an integral 18x optical zoom, providing constant image quality camera views from full wide angle to telephoto zoom settings. The camera uses true Day/Night technology using a removable IR cut filter, providing exceptional low light sensitivity as low as 0.01 fc.

**H.264/MJPEG compression.** Cohu's 3960<sup>HD</sup> incorporates the latest H.264 image compression technology for

maintaining HDTV image quality while using fractions of the bandwidth traditional fixed position megapixel cameras require.

Cohu's non-proprietary implementation of the H.264 standard insures interoperability with conventional media players such as Quicktime, VLC, and others.

Providing dual output stream capability, the 3960<sup>HD</sup> can deliver two independently configured H.264 streams or one H.264 and one MJPEG. The MJPEG stream is useful for streaming to web browsers without need for plug-in.

**Full Function Web Server.** The 3960<sup>HD</sup> provides a full function web server, allowing complete administrative and operator control capabilities.

Administrative features include configuring network settings, user password assignments, setting video streaming properties, defining camera positioning presets/tours, assigning camera ID labels etc.

Operator features include viewing video and camera pan/tilt zoom functions etc. Access to the camera is protected by user name/password authentication.

**PRELIMINARY  
FOR REVIEW ONLY**

[www.cohu-cameras.com](http://www.cohu-cameras.com)

# 3960<sup>HD</sup> Series



**COHU**

## HDTV/H.264 camera positioning system

### SYSTEM POSITIONING FEATURES

The 3960<sup>HD</sup> includes a variable hi-speed pan and tilt drive, allowing full 360° continuous pan (azimuth) and ±90° tilt (elevation) movements.

Manual control positioning speeds range from 0.1° to 80° per second, with preset speeds reaching a maximum 120°/sec, resulting in 180° movements in less than 2 seconds.

Preset and directed absolute position movements are precise to within 0.2°, insuring camera views are on target.

### CAMERA ID LABELS

The 3960<sup>HD</sup> provides comprehensive ID labeling, allowing precise descriptors to be inserted onto the video for operator use. Camera location, presets and sector zones are can be defined with up to 24 character labels.

For direct positioning indications, the camera system can display its azimuth and elevation position in degrees as well as use compass style directions.

### HYBRID SYSTEM CAPABILITY

Exposing both IP and analog outputs, the 3960<sup>HD</sup> can integrate with existing analog based camera systems, while providing a smooth transition into the IP world, or both simultaneously. Pre-loaded camera control drivers support a variety of manufactures protocols.

The analog output is a standard composite video (4:3), with an RS 422 control channel.

### ADVANCED ENVIRONMENTAL PROTECTION

Because it's made by Cohu Electronics, the 3960<sup>HD</sup> provides optimum harsh environment protection using an IP67

camera enclosure and IP66 positioner eliminating the effects of water intrusion, pollutants and corrosives that will degrade the system.

As well, the 3960<sup>HD</sup> is designed to withstand the effects of harsh temperature, electrical and mechanical environments, complying with NEMA TS 2 standards for temperature, electrical, shock and vibration specifications.

Cohu guarantees years of clean, reliable images and backs it with a world-class warranty.

## 3960<sup>HD</sup> RESOLUTION PERFORMANCE COMPARISON

Camera Type		3960 <sup>HD</sup> 720p		5MP		3MP		2.1MP		1.3MP	
Magnification Type		OPTICAL		DIGITAL		DIGITAL		DIGITAL		DIGITAL	
Zoom Factor	x1	1280	720	2560	1920	2048	1536	1600	1200	1280	1024
	x2	1280	720	1280	960	1024	768	800	600	640	512
	x4	1280	720	640	480	512	384	400	300	320	256
	x8	1280	720	320	240	256	192	200	150	160	128
	x16	1280	720	160	120	128	96	100	75	80	64
	x18	1280	720	142	107	114	85	89	67	71	57

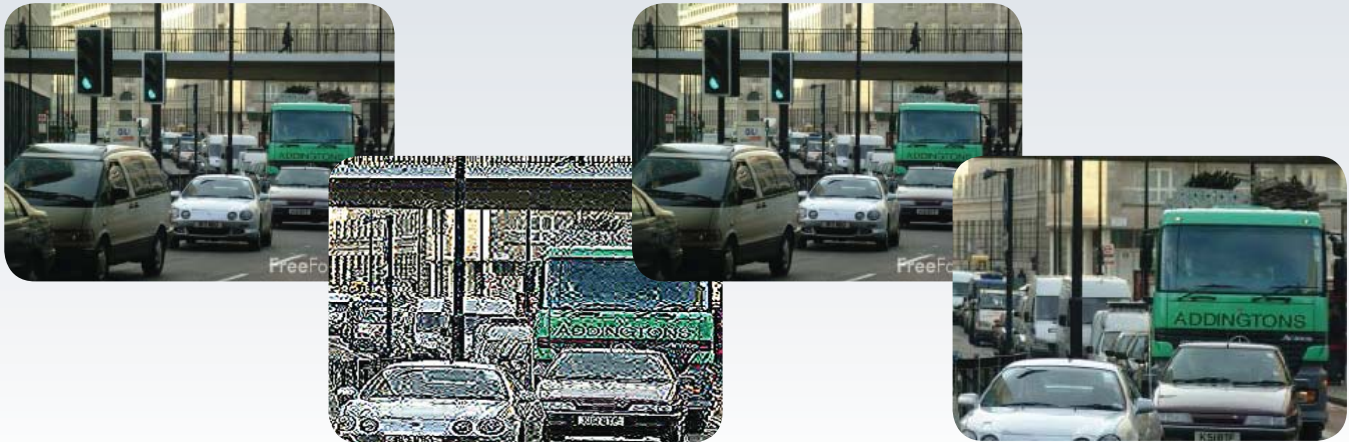
Resolution Advantage      Resolution Equivalence      Resolution Disadvantage

**PRELIMINARY  
FOR REVIEW ONLY**



## HDTV/H.264 camera positioning system

The images below depict the typical resolution advantages of HDTV with optical zoom capability over conventional megapixel cameras using digital zoom for close-up viewing of distant objects.



The chart below compares a 5 megapixel camera and Cohu's 3960<sup>HD</sup> 720p camera, relative to the (pixels on target) of an object 10ft wide by 5 ft high, at 1,000 feet distance from the camera site.

The pixels on target of the object using the 5 MP camera remain constant across the effects of digital zoom (in order to magnify the object), resulting in reduced image quality of the object.

The pixels on target of the object using the Cohu 3960<sup>HD</sup> significantly increase across the effects of optical zoom (in order to magnify the object), resulting in higher resolution images of the object.

TRADITIONAL 5 MEGAPIXEL 1/2" CAMERA					COHU 3960 <sup>HD</sup> 720P CAMERA				
SENSOR RESOLUTION		OBJECT SIZE	OBJECT DISTANCE	EFL	OBJECT DISTANCE	OBJECT SIZE	SENSOR RESOLUTION		
2560	1920	10FT X 5FT	1000FT			1000FT	10FT X 5FT	1280	720
HFV	VFV	IMAGE RES	PoT		PoT	IMAGE RES	HFV	VFV	
1362	1021	2560x1920	177	4.7 (1x)	59	1280x720	1021	766	
681	511	1280x960	177	9.4 (2x)	235	1280x720	511	383	
340	255	640x480	177	18.8 (4x)	946	1280x720	255	191	
170	128	320x240	177	37.6 (8x)	3750	1280x720	128	96	
85	64	160x120	177	75.2 (16x)	15000	1280x720	64	48	
76	57	142x107	177	84.6 (18x)	18800	1280x720	57	43	

HFV — Horizontal Field of View in Feet (5MP camera based on 1/2" format, Cohu 3960<sup>HD</sup> based on 1/3" Format)

VFV — Vertical Field of View in Feet (5MP camera based on 1/2" format, Cohu 3960<sup>HD</sup> based on 1/3" Format)

EFL — Effective Focal Length (based on 4.7mm Lens, where the 5MP camera digitally zooms, Cohu 3960<sup>HD</sup> optically zooms)

PoT — Pixels on Target. Based on 10ft x 5 ft object 1000ft from camera, defining the number of pixels that are used to display object

**PRELIMINARY**  
**FOR REVIEW ONLY**



## 3960<sup>HD</sup> Series Specifications

### CAMERA

#### Image Sensor

Ex-View ICX445AKA Progressive Scan

#### Sensor Size

6mm Diagonal, 1/3"

#### Sensor Total Pixels

1296(H) x 966(V)

#### Sensor Effective Resolution

1280(H) x 720(V)

#### Day/Night Control

Type: Removable IR cut filter,  
Selectable Auto, Color and Mono modes

#### Sensitivity (F1.6 @ 50% Video)

1.7 Lux (0.17 fc) @ 1/60 shutter, color  
0.1 Lux (0.01 fc) @ 1/60 shutter, mono

#### Focus Operation

Selectable auto focus and manual modes  
Manual control of near/far settings

#### Iris Operation

Selectable auto and manual modes  
Manual control of open/close settings

#### Shutter Operation

Selectable auto and manual modes  
Manual control from 1/30 to 1/10,000 sec

#### White Balance Operation

Selectable auto and manual settings

#### WDR Operation

Selectable ON/OFF Modes

### LENS

#### Optical Zoom Range

18X, 4.7mm to 84.6mm

#### Lens Aperture

f/1.6 (wide) to f/34 (tele)

#### Optical Zoom Speed

Two (2) speeds, from approximately 7.0  
seconds to 14.0 seconds full range

#### Horizontal Angle Field of View

54° to 3.25

#### Minimum Focus Distance

0.01m (w); 1.0m (t)

### H.264/MJPEG ENCODING

#### Video Compression

H.264 (Main Profile/Level 3.1)  
Motion JPEG

#### Video Streams

Video Stream 1: H.264  
Video Stream 2: H.264 or MJPEG

### Configurable Properties

Image Resolution: 720p, D1, VGA, CIF  
settings  
Streaming Mode: CBR or VBR settings  
Image Settings: GOP (M, N) and quality  
settings  
Frame Rate: 30, 15, 7, 4, 2, 1 frames/sec  
settings  
Data Rate: Adjustable from 64k to 12Mb/sec

### Connection Types

Uni-cast, multi-unicast or multi-cast

### Video Latency

<250ms

### POSITIONER

#### Pan/Tilt Drive

Pan Range: 360° continuous rotation  
Tilt Range: -90° to +90°  
Accuracy: ±0.2°  
Repeatability: ±0.2°

#### Pan Speed

Max: 120°/sec  
Preset: 180° (start to stop) <2 sec  
Manual: 0.1° to 80°/sec

#### Tilt Speed

Max: 120°/sec  
Preset: 180° (start to stop) <2 sec  
Manual: 0.1° to 40°/sec

#### Absolute Positioning

Set Position: 0.2° precision  
Get Position: 0.2° precision

#### Presets

64 preset positions (each preset includes pan  
and tilt and 24-character ID label)

#### Video Tours

8 tours, each consisting of 32 presets with  
dwell time per preset per tour

#### Sector Zones

Up to 16 programmable zones in the hori-  
zontal plane

#### Compass Direction

8 or 16 direction points (i.e.: north, NE, east,  
SE, south, SW, west, and NW) can be dis-  
played. Function can be on/off, 3-sec time  
out or permanent

#### Absolute Position

Displayed in 0-359° AZ and +90° to -90° EL.  
Function can be on/off, 3-sec. time out or  
permanent

### Title Generation

Camera ID: 2 lines of 24 characters  
Preset ID: 1 line of 24 characters  
Sector Zone: 1 line of 24 characters per zone  
Compass/Position: 1 line, includes compass  
direction and absolute position

### ELECTRICAL

#### Power Input

115 VAC (89 VAC to 135 VAC);  
Conforms to NEMA TS2 para. 2.1.2.  
Optional 24 VAC ±15%

#### Power Consumption

54 W max without PT heater option  
154 W max with PT heater

### COMMUNICATION / CONTROL SIGNALS

#### Network Connection

10/100Base T 802.3 auto negotiate

#### Network Protocols

IPv4, HTTP, DNS, NTP, RTSP, RTP, TCP,  
UDP, IGMPv2, RTCP, ICMP, DHCP, ARP

#### Video

Composite 1vp-p @ 4:3 aspect ratio

#### Camera PTZ Control

RS422 half duplex, 9600 baud

#### Firmware

Updates via ethernet connection

### MECHANICAL

#### Construction / Finish

Powder coated aluminum. External parts  
corrosion protected with stainless steel fas-  
teners. Internal screws/ fasteners nylon or  
loctite thread-locking

#### Weight

Approx 18.5 lbs (8.4 kg)

#### Dimensions

see diagram

#### Field Connector

PT06E-14-18P(SR) 18 Pin MS environmental  
connector located on end of 18" Pigtail;  
Pigtail mating connector included

(continued next page)

**PRELIMINARY  
FOR REVIEW ONLY**

# 3960<sup>HD</sup> Series

## HDTV/H.264 camera positioning system



**COHU**

### ENVIRONMENTAL

#### Protection Ratings

- Camera  
IP-67/NEMA-4X/ASTM-B117;
- Positioner  
IP-66/NEMA-4X/ASTM-B117

#### Operating Temperature Limits

-29.2° to 165°F (-34° to 74°C)

#### Humidity

Up to 100% relative humidity

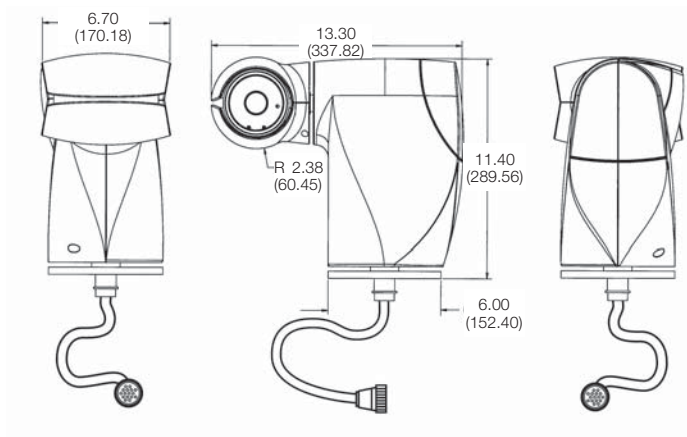
#### Vibration

Conforms to NEMA TS2, para. 2.1.9

#### Wind

Survivability: Up to 150 mph without damage  
(mounting bracket not included)

### DIMENSIONS in inches (mm)



### ORDERING INFORMATION

#### HD3X-X000

##### Power

- 4 - 24 VAC
- 5 - 120 VAC
- 6 - 120 VAC with 100W positioner heater

##### Camera Module

- 1 - 18x HDTV 720p Day/Night Camera
- 2 - 18x HDTV 720p Day/Night Camera with Faceplate Wiper

**PRELIMINARY**  
**FOR REVIEW ONLY**

Cohu reserves the right to change specifications without notice.  
Trademark names are used for reference only.